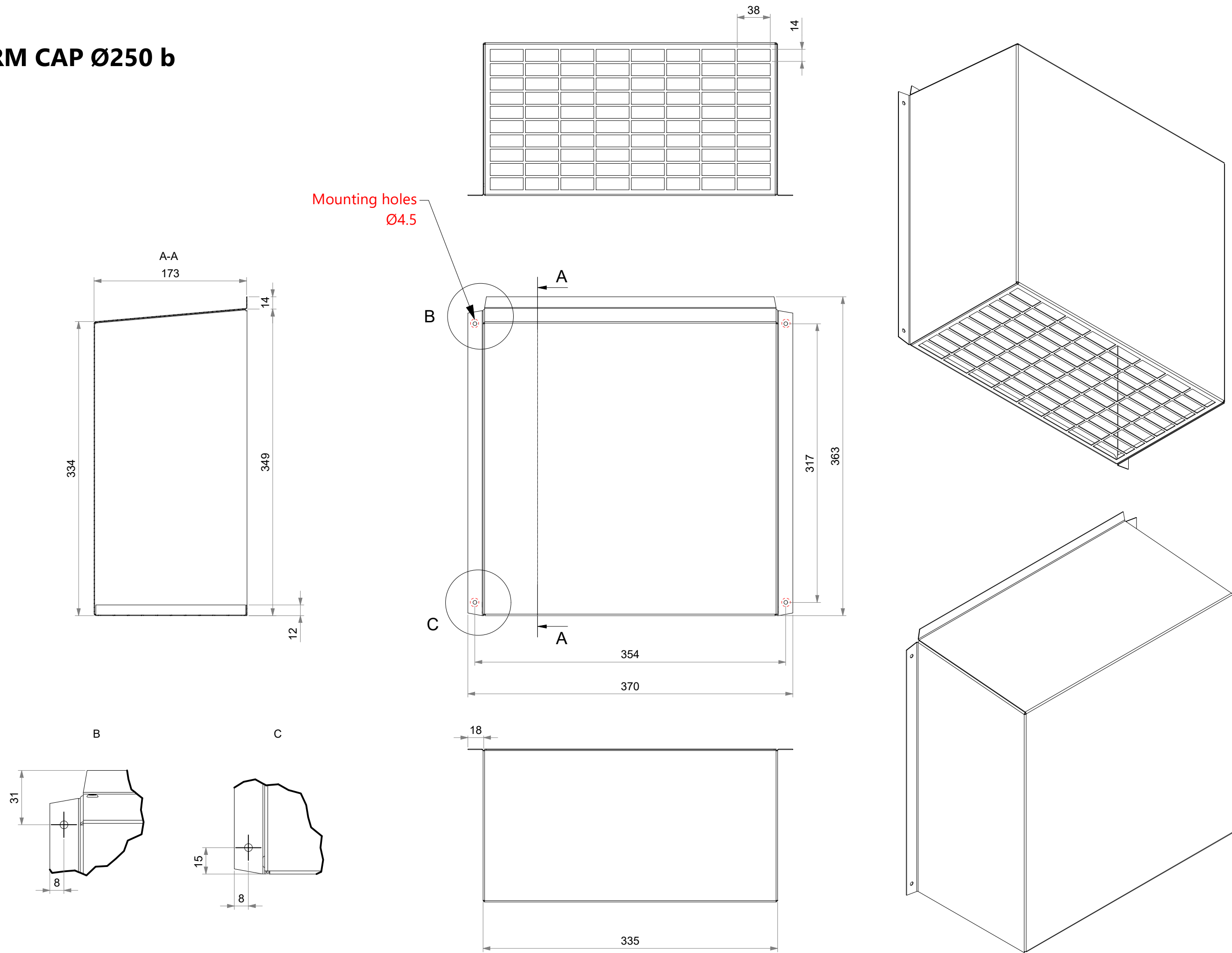


STORM CAP Ø250 b



Measures in mm.

DWG.: 1038870_Dimension_drawings