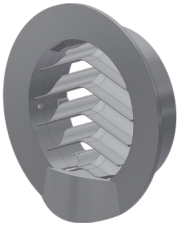


Data Sheet Airmaster Boomerain®

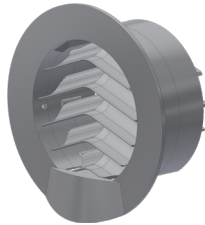
External wall grille for outdoor air intake and extract air discharge.

Product Version Overview

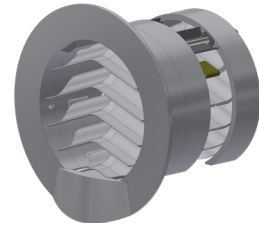
Boomerain® Ø160-1



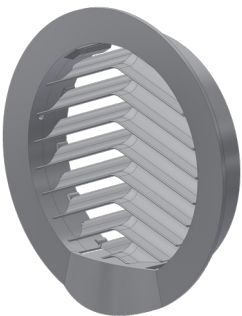
Boomerain® Ø160-2



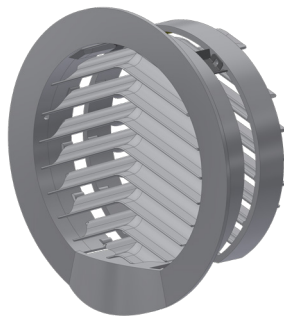
Boomerain® Ø160-3



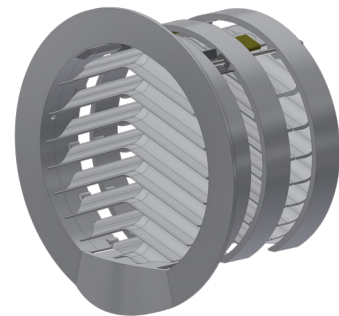
Boomerain® Ø250-1



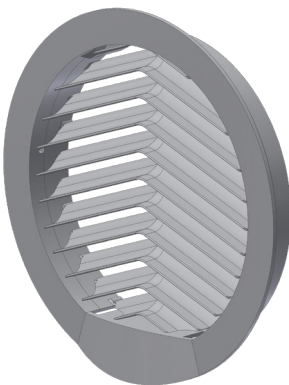
Boomerain® Ø250-2



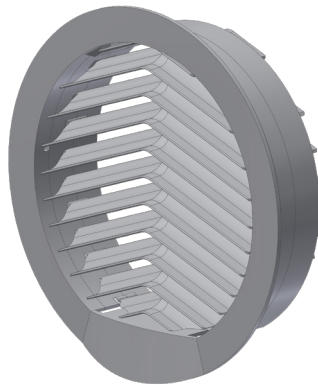
Boomerain® Ø250-3



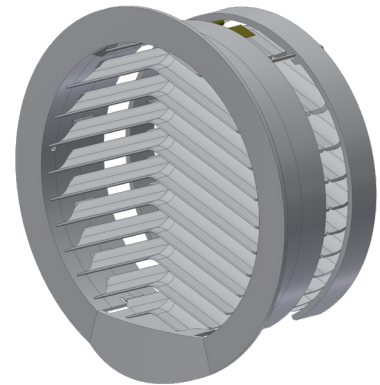
Boomerain® Ø315-1



Boomerain® Ø315-2



Boomerain® Ø315-3



Material and Finish

All grilles are made from sea water resistant cast aluminium.

Standard finish: Untreated

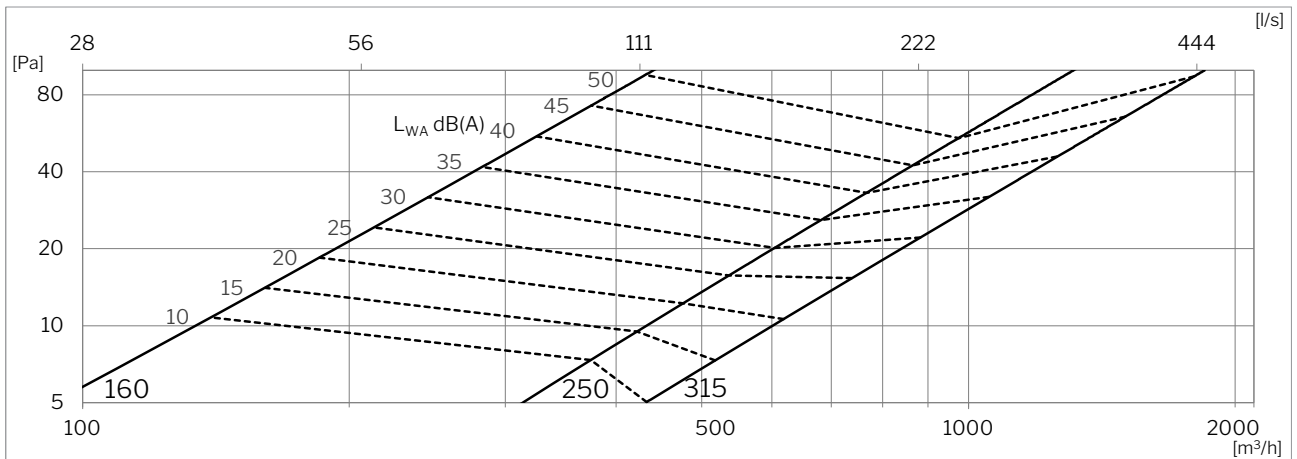
Optional finish: Powder-coated.

Maintenance

The grille should be removed to gain access to the duct connected to the air handling unit. The external parts should be wiped regularly with a damp cloth.

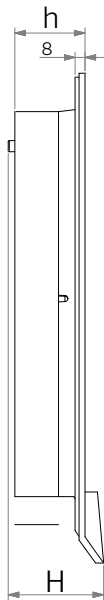
Technical Data

Airflow rate q_v [l/s]; [m³/h], pressure drop Δp [Pa] and sound power level L_{WA} [dB(A)] can be seen in the diagram below.

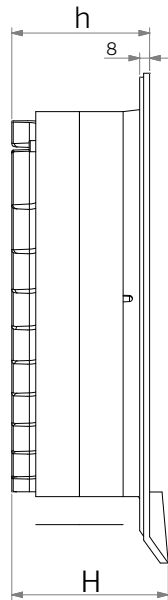


Measurement

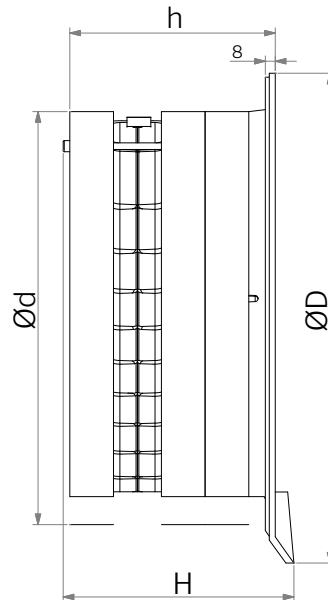
Boomerain® 1



Boomerain® 2



Boomerain® 3



Boomerain®	Ød [mm]	ØD [mm]	h [mm]	H [mm]	Free areal (A _v) [m ²]	Weight [kg]
Ø160-1	144	215	53	72	0,015	0,99
Ø160-2	144	215	104	118	0,015	1,47
Ø160-3	144	215	155	174	0,015	1,98
Ø250-1	250	305	53	72	0,038	1,72
Ø250-2	250	305	126	140	0,038	2,66
Ø250-3	250	305	177	196	0,038	3,62
Ø315-1	312	370	53	72	0,0624	2,12
Ø315-2	312	370	104	118	0,0624	3,64
Ø315-3	312	370	155	174	0,0624	5