

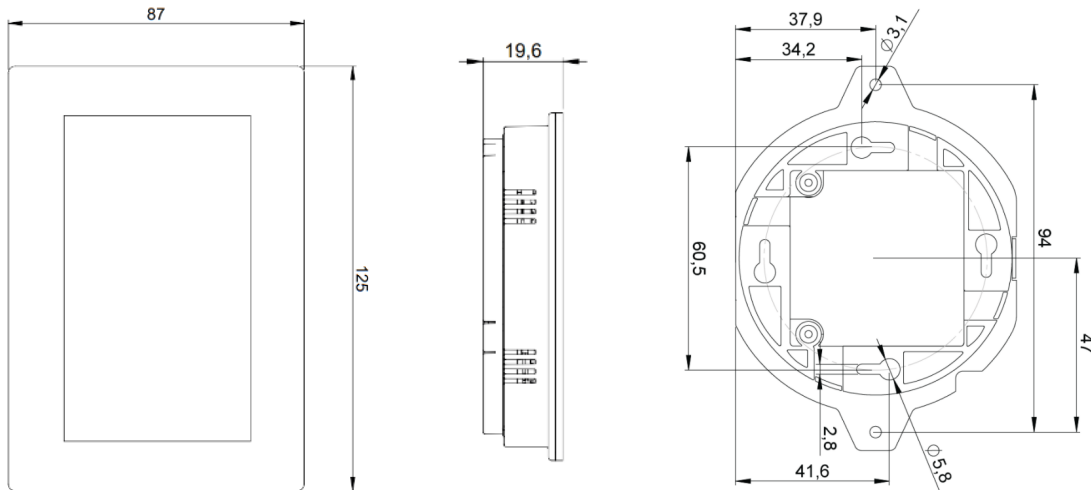
## Airlinq<sup>®</sup> Nova panel

Included in box:

- 1 pcs. Panel
- 1 pcs. installation cable



More Info



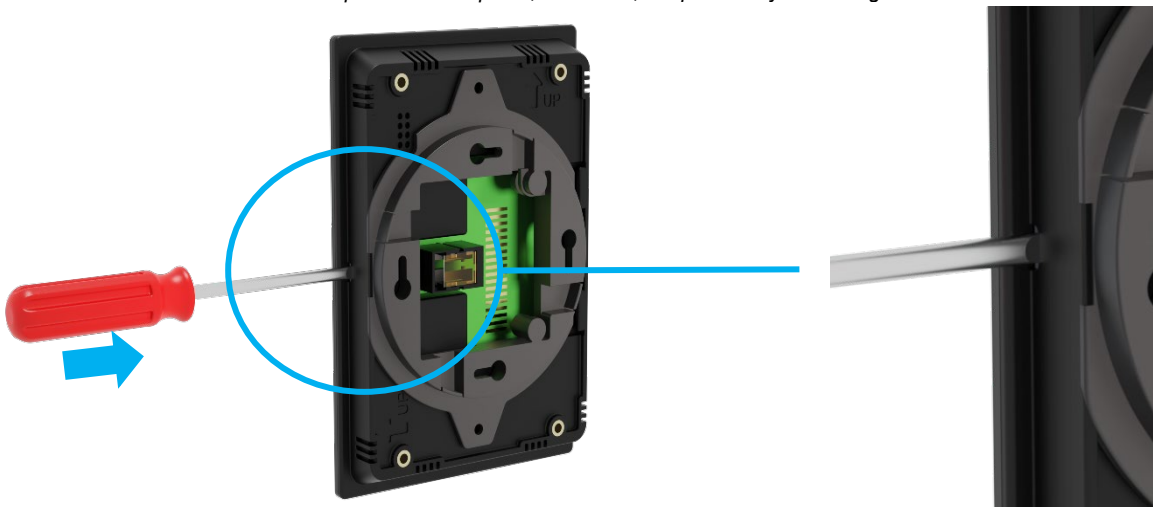
Panel dimensions in mm.

You can mount the panel directly on the wall using the panel mounting frame or in a flush-mounted back box. The flush-mounted back box must be Euro 1-Gang size.

### 1

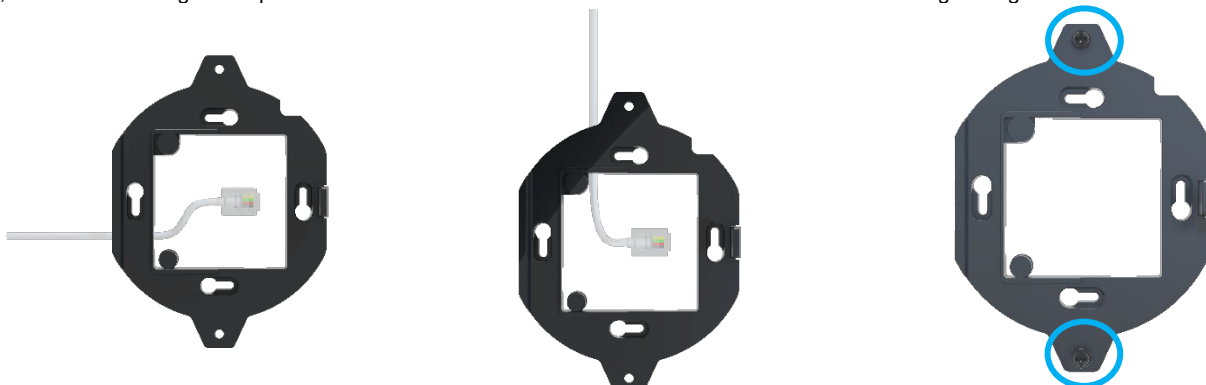
You need to disassemble the Airlinq<sup>®</sup> Nova panel before mounting it. You do so by inserting a screwdriver into the small slot on the side of the panel and carefully pressing the lock holding the frame in place.

**NOTICE:** The screwdriver **must** be held parallel to the panel; otherwise, the panel may be damaged.



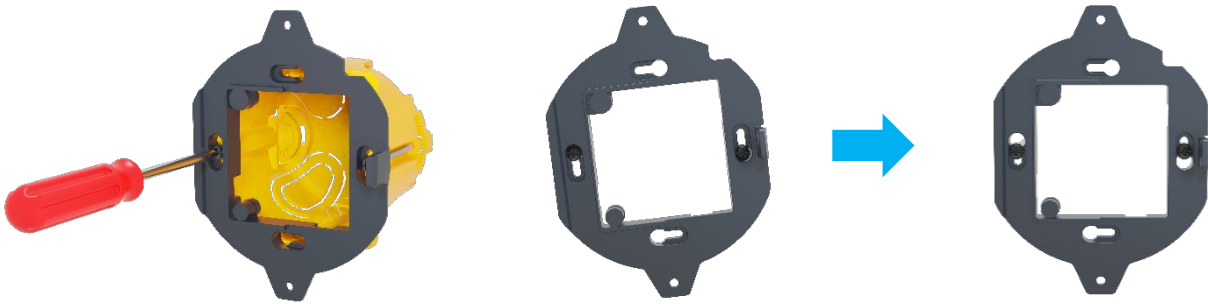
### **2A: Wall mount using the panel mounting frame**

Insert the installation cable into the cable duct from either the side or the top. Mount the frame using two screws: one at the top and one at the bottom, as shown in the rightmost picture. Make sure the installation cable is within the cable duct before tightening the screws.



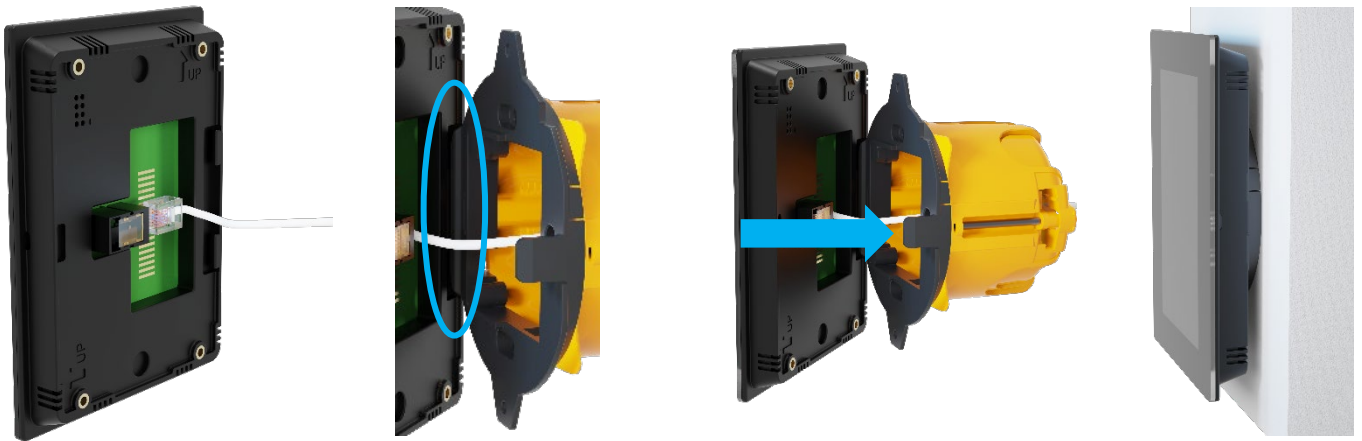
### **2B: Mounting on a flush-mounted back box**

Mount the frame onto the back box, and tighten the screws. You can use the keyholes and twist the frame into position. Make sure the frame is level before tightening the screws.



### **3**

Connect the RJ 10 connector on the cable to the RJ 10 connection on the back of the panel. Attach the panel to the bracket on the mounting frame. Press the panel into place until you hear a 'click'. Make sure the installation cable is not twisted or bent behind the panel.

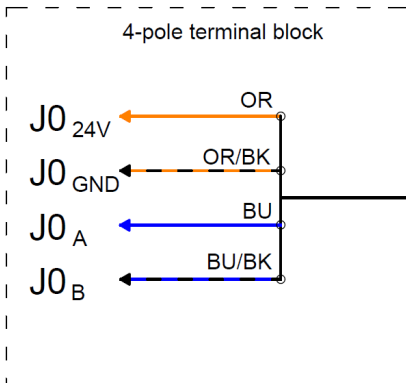


### **Electrical diagram**

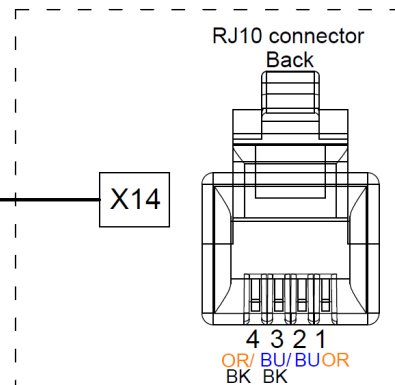
<b>WARNING</b>	
	<ul style="list-style-type: none"><li>• Electrical installations may only be carried out by an authorized electrician.</li><li>• The power supply must be switched off for all connections or service work.</li><li>• Make sure nobody turns the power on (prevent use).</li><li>• The installer must follow local rules and standards.</li></ul>

### **AMX unit**

External connection module



### **Panel**



Connect the orange wire to the 24 V (DC) signal in terminal J0-1.

Connect the orange/black wire to GND in terminal J0-2.

Connect the blue wire to A+ in terminal J0-3.

Connect the blue/black wire to B- in terminal J0-4